

All-Terrain Ladders Adjustable Horizontal Ladder Leveller

Pat. No. M242635, TW (Taiwan)

Pat. No. Nr. 20 2004 013 039.4, DE (Germany)

Pat. No. 3106733, JP (Japan)

Pat. No. ZL 2004 2 0047815.7, CN (China)

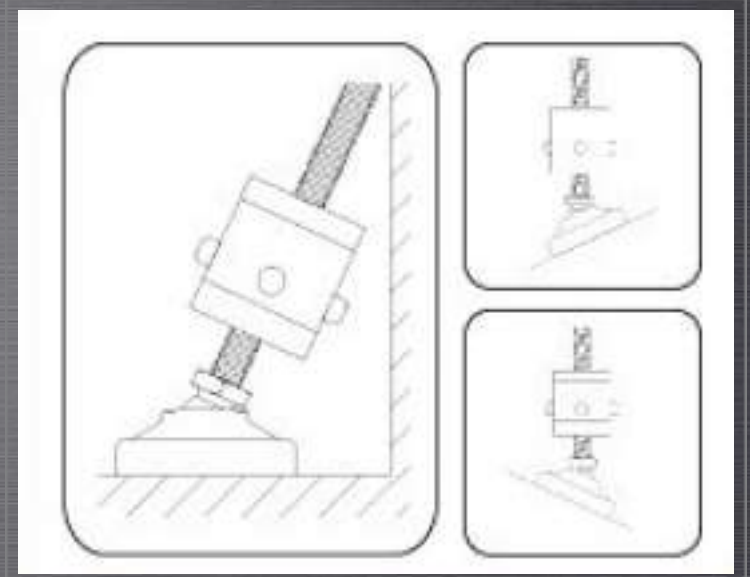
Pat. No. US 6,902,140 B1, US (USA)











- Comes fully assembled
- Auto-lock at any position, on any slope or uneven terrain
- Easy to Operate – Quick Adjustment



Quotation

A Type:

Model	Ladder Step	Ladder Length (mm)	Approx. Width (mm) (A)	Approx. cbf / Unit	Approx. G. W. (Kg)
AF-AH5	5	1,860	415	4.6	9
AF-AH7	7	2,520	415	6.2	10
AF-AH9	9	3,180	415	7.9	11
AF-AH11	11	3,840	415	9.5	13
AF-AH13	13	4,450	415	11.0	15
AF-AH15	15	5,110	415	12.6	18

H Type:

Model	Ladder Step	Ladder Length (mm)	Approx. Width (mm) (A)	Approx. Spread (mm) (B)	Approx. cbf / Unit	Approx. G. W. (Kg)
AF-AA5	5	1,660	584	1,100	7.8	22
AF-AA6	6	1,960	623	1,270	9.1	24
AF-AA7	7	2,260	689	1,450	12.7	26
AF-AA8	8	2,560	712	1,626	14.9	28
AF-AA9	9	2,860	775	1,804	18.1	30

